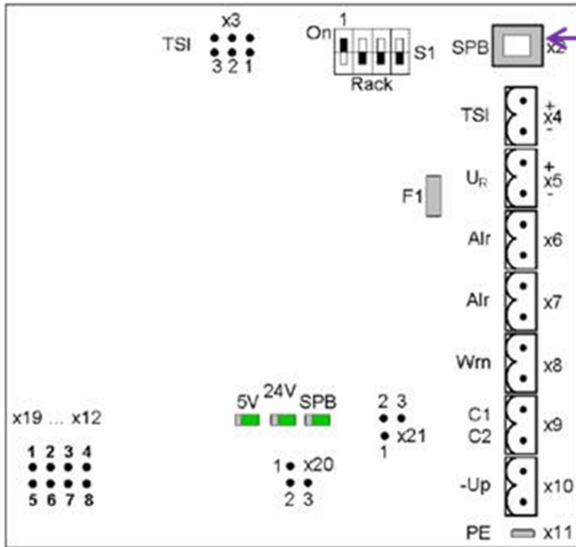


One of our stations is running with 560MPR01 rack, we are going to add one 560MPR03 rack for additional bays. Is this integration is possible?

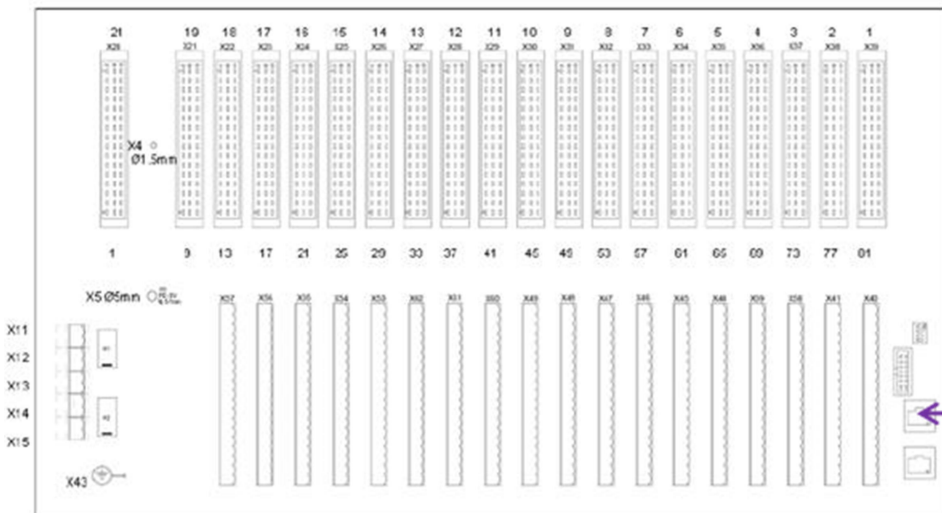
Please refer the below connection diagram,

**560MPR01 Rack-1 (Existing):**



Ethernet cable for Bus looping

**560MPR03 Rack-2 (New):**



In the Existing RTU we are using CMU02.