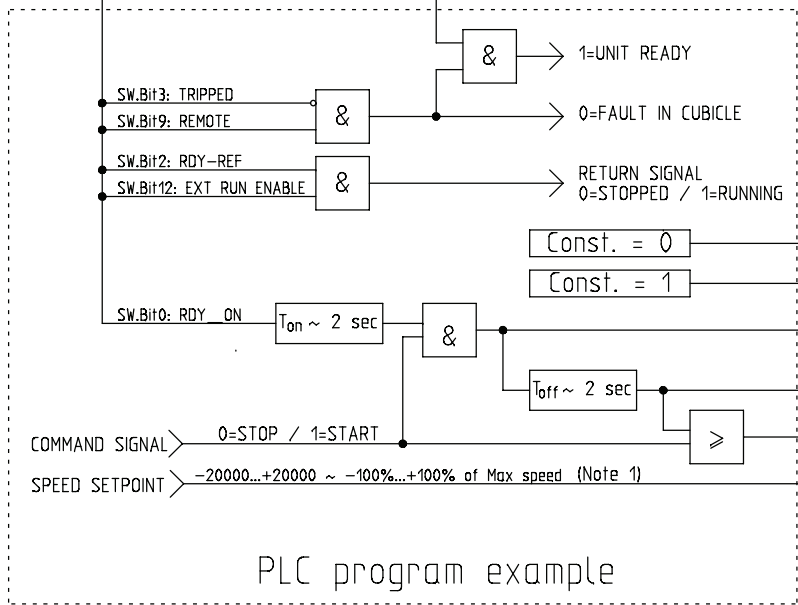
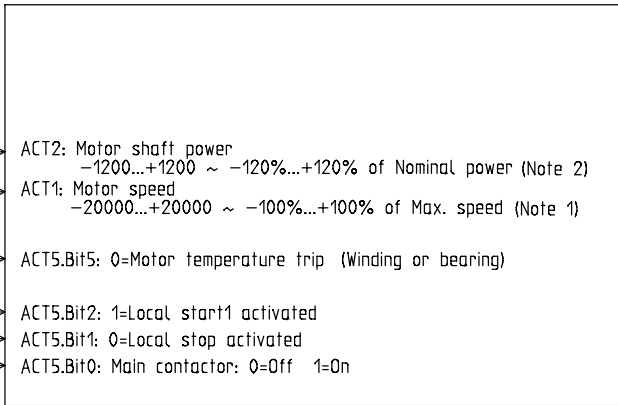


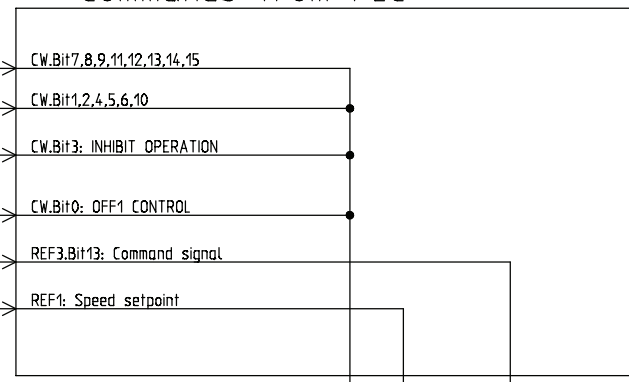
Statuswords from ACS 800					
Dataset 2			Dataset 4		
SW	ACT1	ACT2	ACT3	ACT4	ACT5

Refer to the ACS 800 Firmware manual and the Fieldbus Adaptor User's manual for further details.

Status to PLC



Commands from PLC



CW	REF1	REF2	REF3	REF4	REF5
Dataset 1			Dataset 3		
Controlwords to ACS 800					

- Notes
- 1) Negative values only in reverse rotating direction
 - 2) The sign indicates the power flow direction (Positive in Q1 and Q3, Negative in Q2 and Q4)

Based on	Prepared	AAPE	09-10-2005	Title	Fieldbus interface	Doc. Des.	Circuit Diagram	Item Des.	=
Customer	Approved	F.L.Smidth A/S Cement	WABY	22-03-2006				+	
Cust. Ref.No.	Project	321MD302U01	Ciba White Algier			Resp. Dept.	ATAP	Rev.ind.	A
ABB Ref. No.		ATAP5351	RM Separator			Doc. No.	3AEL000198D1300	Lang.	en
								Sheet	200
								Cont.	300

