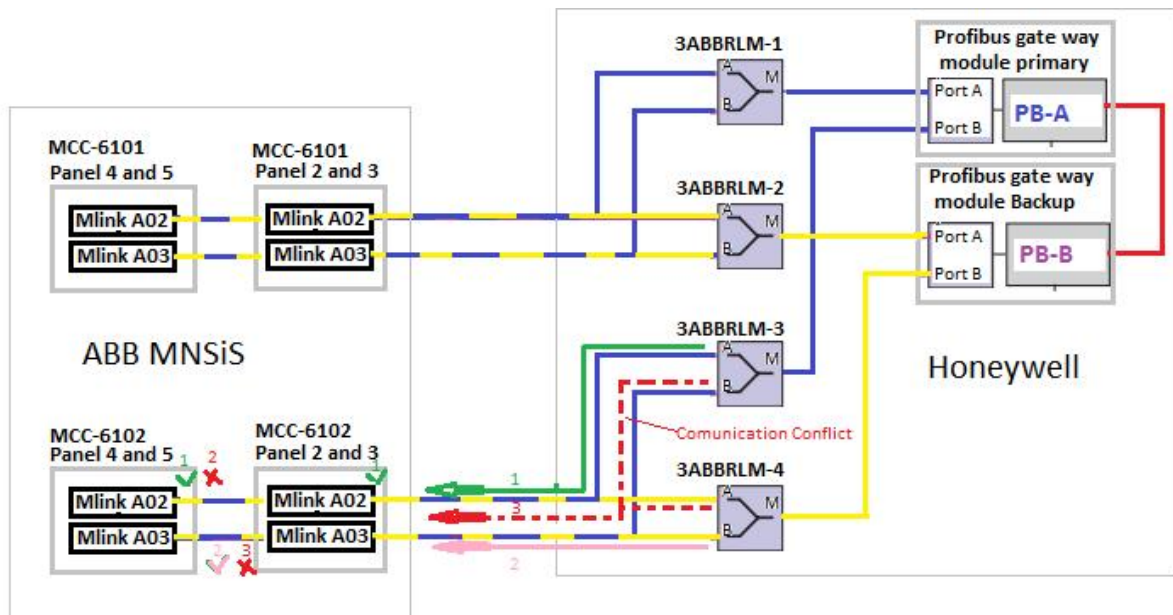


Investigation / fault tracing



Case 1: Mlink's A02 are healthy communication over RLM3 port A this is good THEN

Case 2: Mlink A02 in panel 4 and 5 became faulty THEN

Case 2: Mlink A03 in panel 4 and 5 communicating over RLM4 port B which is good THEN

Case 3: Mlink A03 in panel 4 and 5 found to be faulty by RLM4 THEN

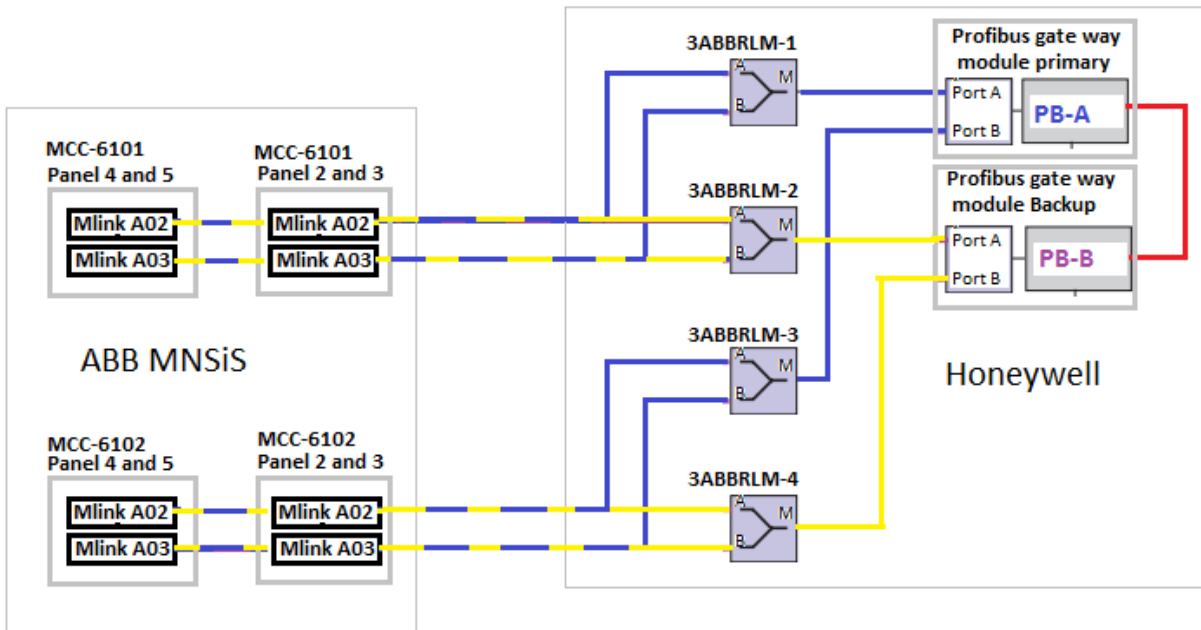
Case 3: IF RLM3 switch over from port A to B, conflict with RLM4 port B that is communicating with Mlink A03 in panel 2 and 3.

Case 3: IF RLM4 switch over from port B to A, conflict with RLM3 port A that is communicating with Mlink A02 in panel 2 and 3.

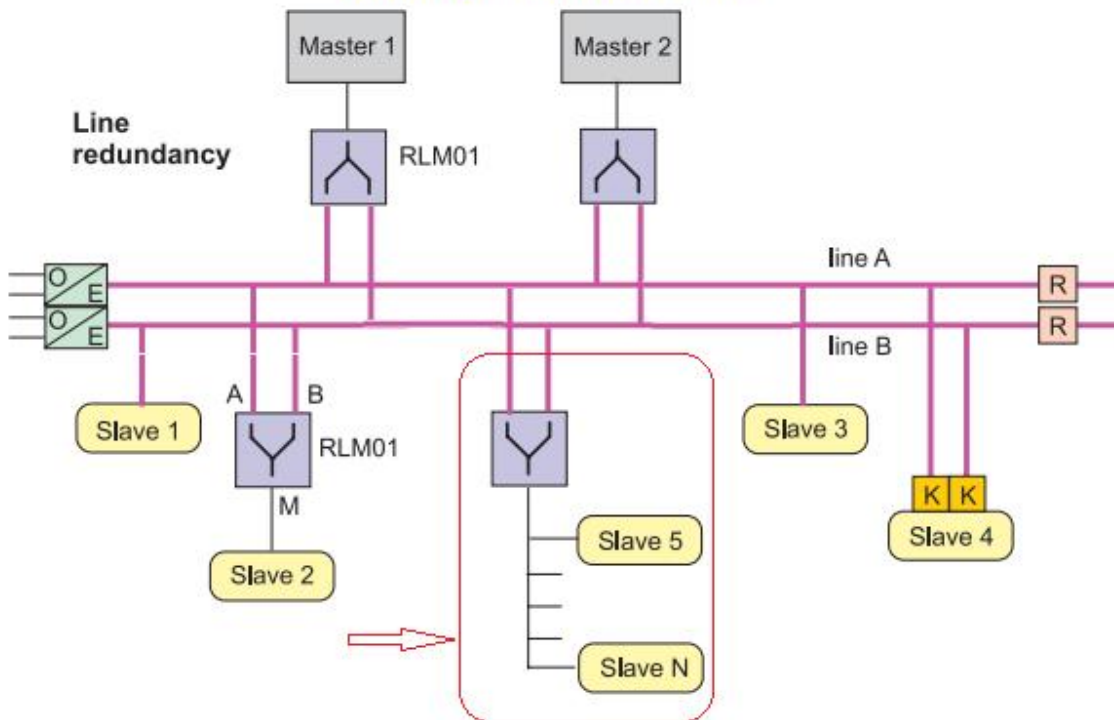
Case 3: at site RLM3 port A and B alarm/error leds will illuminate and module is making high-frequency switching noise.



AS-BUILD



MANUAL INFORMATION



RECOMMENDATION

