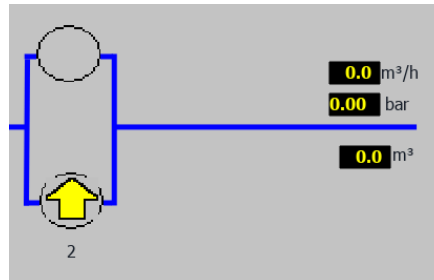
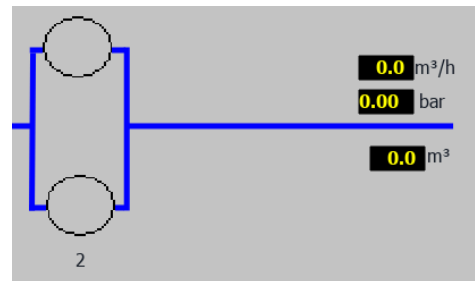


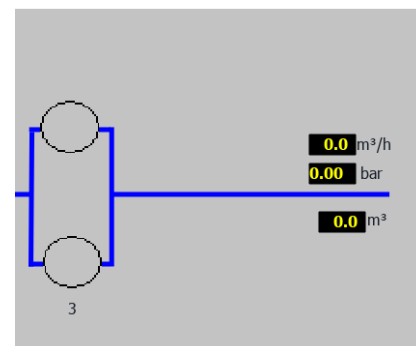
Simulation:
The pump has state 3:
Remote and Running



Simulation:
The pump has state 2:
Remote and Stopped



Live from Panel:
The pump has state 2:
Nothing is showing



Live from Panel:
The pump has state 3:
Nothing is showing