

Figure 151 shows the process connections for the Digital Output Module DO802.

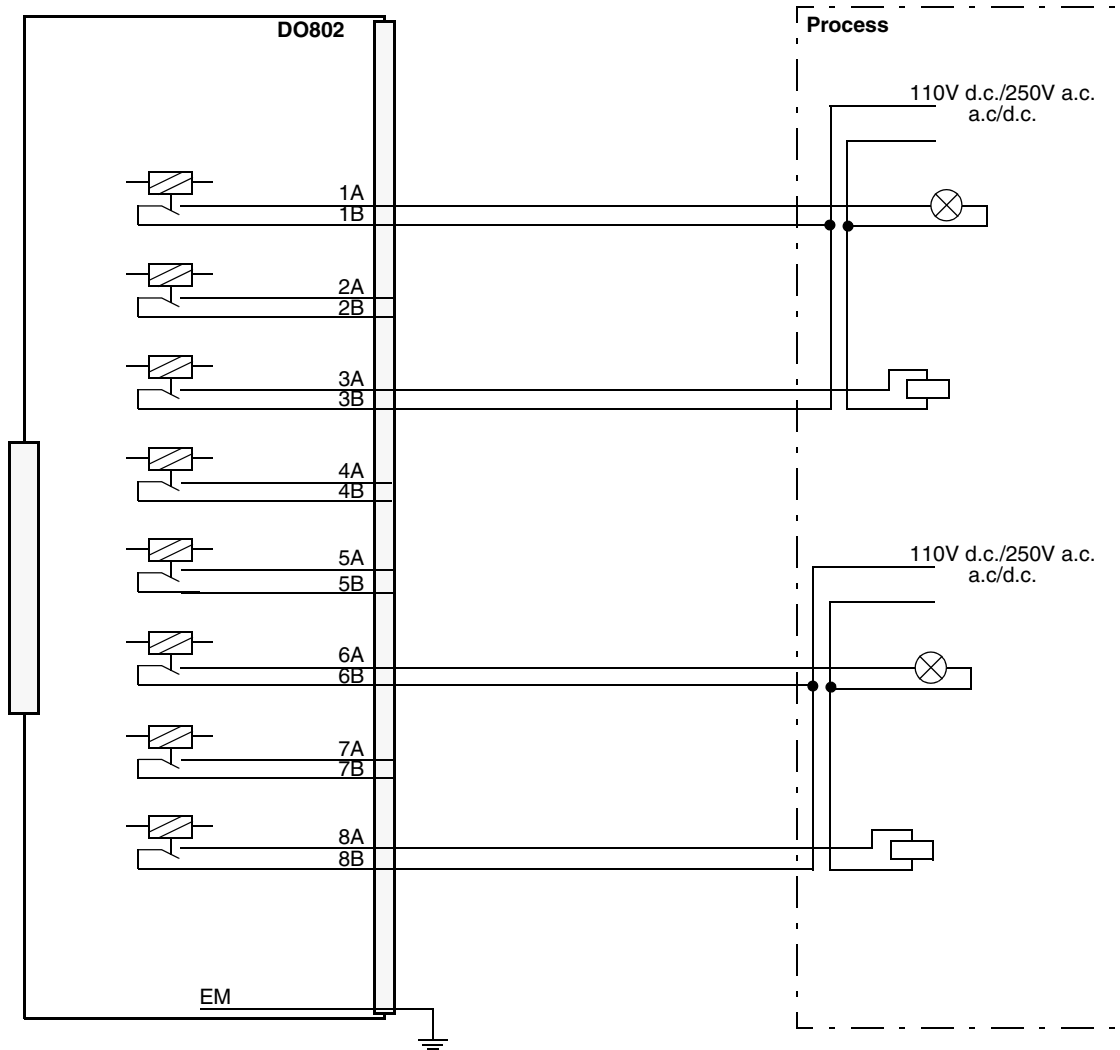


Figure 151. DO802 Process Connections